

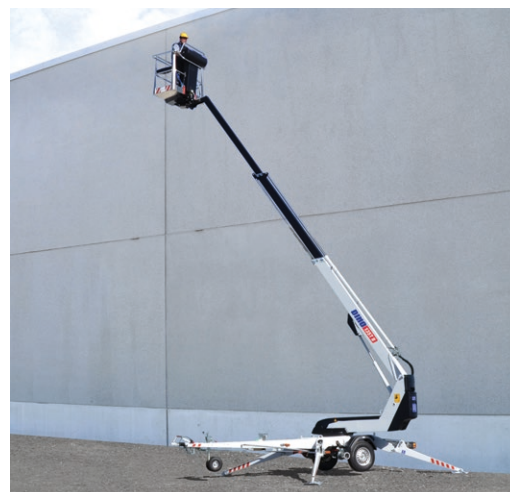
# Meet

## DINO 135T II

### DINO® TRAILER MOUNTED MEWPs

#### Standard features in DINO 135T II

- Lightweight, robust, cost-effective
- Driving system; easy to move at work site
- Spacious, easy-entry basket; capacity 215 kg
- Large outrigger pads 280 x 360 mm
- Continuous rotation of the boom; easy and functional
- Basket rotation 90°
- Proportional controls
- Stable to tow, easy to transport
- Simple to use, clear and informative controls

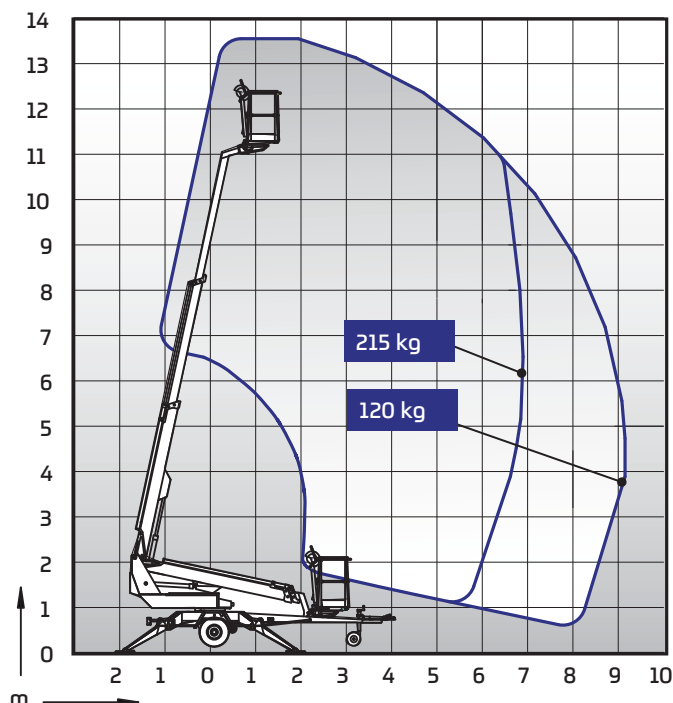


#### Options available for DINO 135T II

- Petrol engine
- Cable steering for driving
- Outrigger support indicator
- LED working lights
- DINO SafeGuard secondary guarding
- Extra outrigger pads 500 x 500 x 35 mm+ bracket
- Lockable tool / harness box
- Rack for tools and accessories
- Spare wheel

#### Technical data

	135T II
Max. working height	13.50 m
Max. platform height	11.50 m
Max. outreach	9.10 m
Support width	3.8 / 4.2 m
Lifting capacity	215 kg
Basket size	0.7 x 1.3 m
Boom rotation	cont.
Basket rotation	90°
Boom control	proport.
Transport length	6.09 m
Transport width	1.79 m
Transport height	2.16 m
Weight	1635 kg
Driving system	std
AC socket in the basket x 2	std
Electric motor 110/230VAC	std
Petrol engine	opt.
Gradeability	25 %



# DINOLIFT

Ukraine

ООО «Техноподъем» | 61017, Украина, Харьковская область, Харьков,  
Офис/Склад: ул.Красномяцкая,16

Тел.: +38 050 300-88-81 | +38 067 673-88-81  
E-mail: Sart@technopodjem.com.ua

Подробнее: [Dinolift.com.ua](http://Dinolift.com.ua)